

中联重科

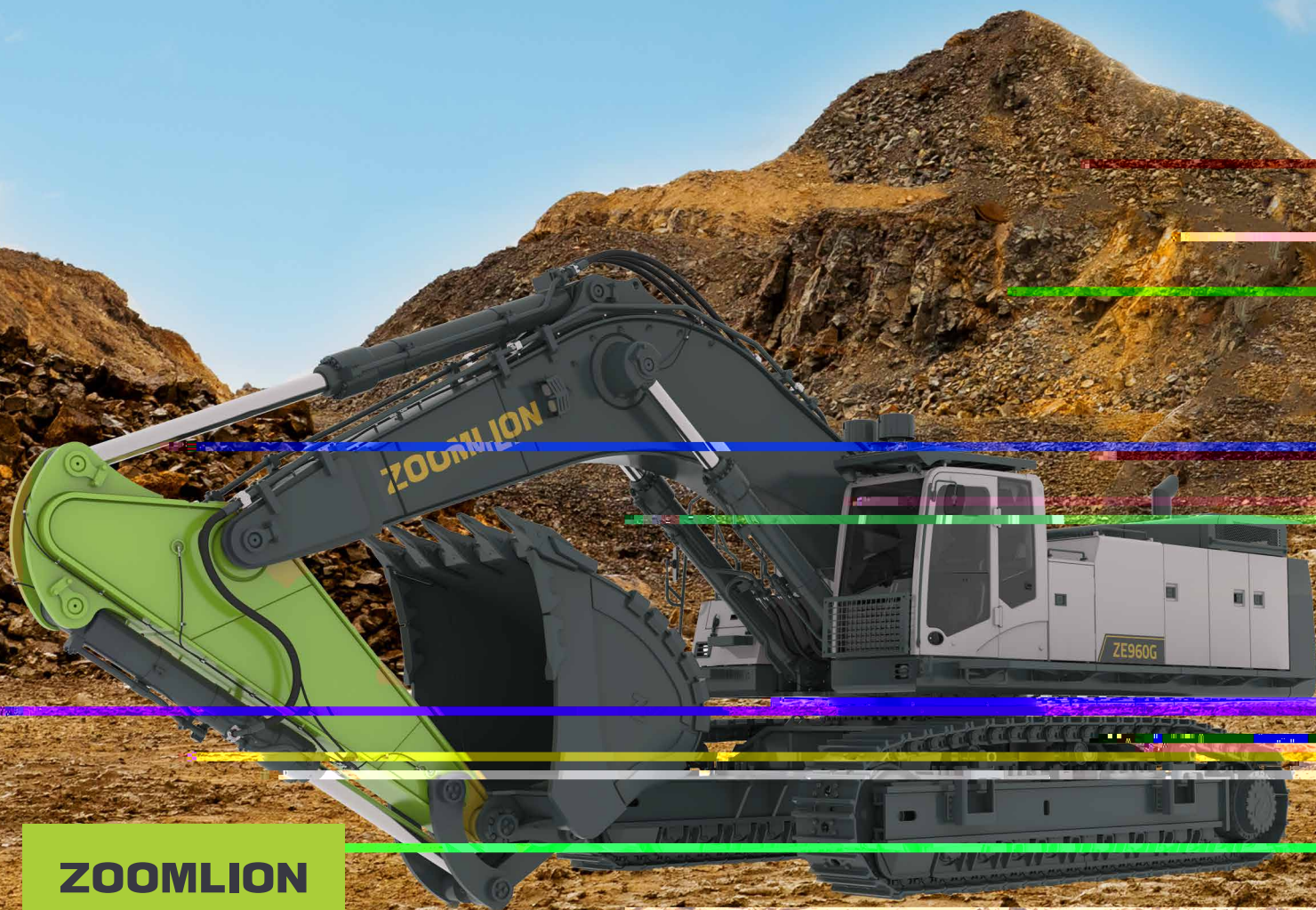
ZE960G 矿用挖掘机

Mining Excavator

操作重量 93.1 t

铲斗容量 6-8 m³

发动机功率 570kW



ZOOMLION

产品简介

Product Introduction

为极限工况而生——采用矿山专用加长加宽底盘，加强型四轮一带，全防护式履带护轨以及大扭矩、长寿命行走减速机。采用基于应力分析及疲劳寿命测试而强化设计的工作装置，且关键部位采用锻件结构。

Designed for extreme working conditions - adopts extended and widened undercarriage, enhanced crawlers, fully protected track guards and long life travel gearboxes. The boom and stick utilize high-strength steel and forgings that are thermally stress relieved for optimum structural life.

流畅优越的操控体验——成熟可靠的液压控制系统搭配原装进口液压元件，性能优异的 ESI 电控系统，实现动力与液压系统的完美匹配，保证机器高效作业。

Smooth and superior control experience - reliable hydraulic components, ESI electronic control system with excellent performance, which can achieve the perfect match of power and hydraulic system, and ensure the efficient.

降低运营成本——发动机满足国四排放标准，动力强劲、油耗低。

Reduce operating costs - the engine meets China Non-road Stage IV emission standards, with strong power and low fuel consumption.

安全舒适的驾驶环境——驾驶室配备加强型护罩以及按人机工程学设计的内部布置，配备全新人机交互操作系统，后视及侧视摄像头可环视机器周围作业环境。

Safe and comfortable driving environment - the cab is equipped with enhanced protective guards and ergonomic design of the internal layout, equipped with a new interaction operating system, rear and side cameras can look around the environment.

智能化服务——搭载智能化服务，通过中联智能化平台，可实现远程服务和故障诊断。

Intelligent service - equipped with remote service and fault diagnosis can be realized through Zoomlion intelligent platform.

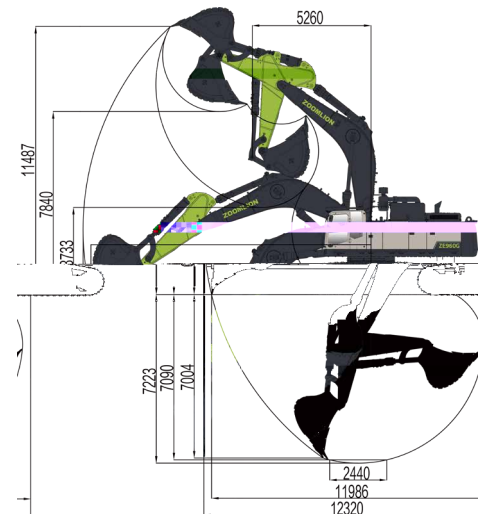
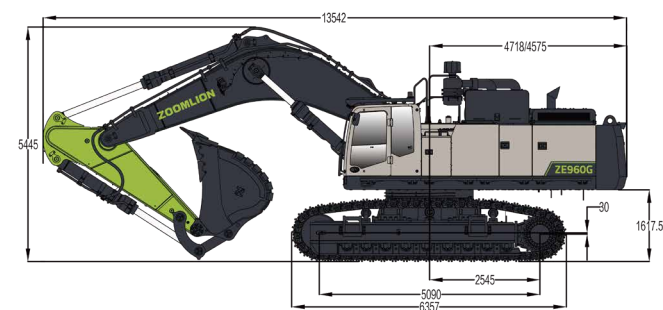
轻松便捷的维修——采用模块化设计满足一站式检点，标配全自动润滑系统，选用长效液压油，更换周期翻倍。

Easy maintenance - modular design is adopted to meet one-stop inspection, equipped with automatic lubrication system, long-term hydraulic oil is optional, replacement cycle is doubled.

整车尺寸参数

Unit: mm

Vehicle Size Marking



整车性能参数

Vehicle Performance Marking

主要参数 Main Parameters	单位 Unit	数值 Value	主要参数 Main Parameters	单位 Unit	数值 Value
操作重量 Operating Weight	kg	93100	排放标准 Emission Standard	/	国四 / China Non-road Stage IV
铲斗容量 Bucket Capacity	m ³	6-8	回转速度 Swing Speed	r/min	6.8
发动机型号 Model	/	YCK16775-T300	行走速度 (高 / 低) Travel Speeds(H/L)	km/h	4.2 / 2.9
发动机额定功率 Rated Power	kW/rpm	570 / 1900	最大牵引力 Maximum Traction	kN	700
排量 Displacement	L	15	铲斗挖掘力 Bucket Digging Force	kN	490
最大扭矩 / 转速 Maximum torque speed	N·m/rpm	2644 / 1400	斗杆挖掘力 Arm Digging Force	kN	375

